



High-frequency transformer

EE8.3 Series

Parameters/Dimensions:

EE8.3 Type 1

Information:

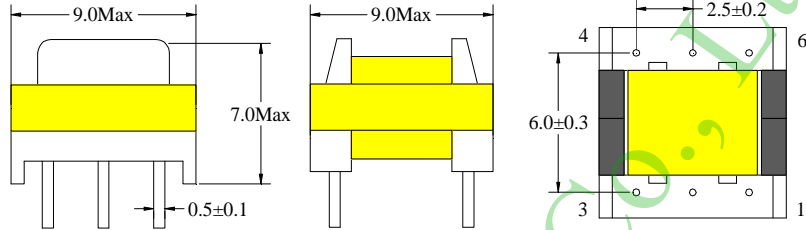
Shape: EE8.3

1 Power: 2W

2 Mounting Orientation: Horizontal

3 Size: 9 (W) * 9(L) * 7 (H)

4 Effective Ae (mm²): 7.85



EE8.3 Type 2

Information:

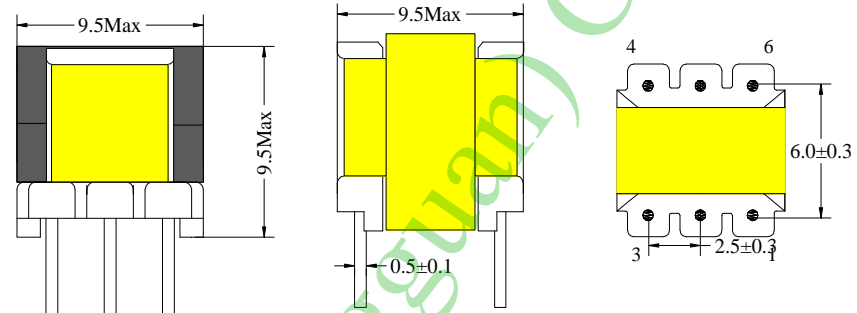
Shape: EE8.3

1 Power: 2W

2 Mounting Orientation: Vertical

3 Size: 9.5 (W) * 9.5(L) * 9.5 (H)

4 Effective Ae (mm²): 7.85



EE8.3 Type 3

Information:

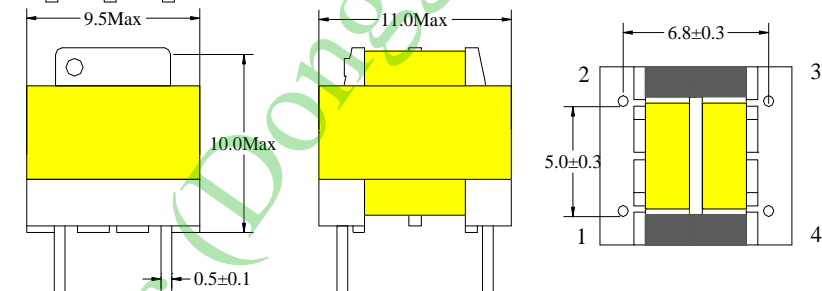
Shape: EE8.3

1 Power: 2W

2 Mounting Orientation: Horizontal

3 Size: 9.5 (W) * 10(L) * 10 (H)

4 Effective Ae (mm²): 7.85



EE8.3 Type 4

Information:

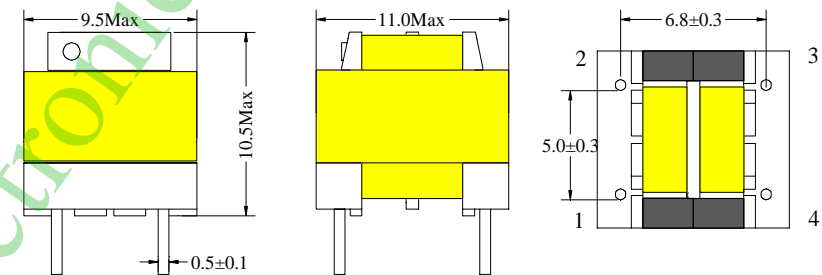
Shape: EE8.3

1 Power: 2W

2 Mounting Orientation: Horizontal

3 Size: 9.5(W) * 11(L) * 10.5 (H)

4 Effective Ae (mm²): 7.85



Note:

Bobbin type listed in the traditional style, transformer design parameters to customer needs or to inject prevail.

EE series high-frequency transformer features:

Lead space, easy winding wire. Applicable to a wide range of high frequency, wide operating voltage range, output power, good thermal stability

Uses:

Program-controlled switches are widely used in power supplies, LCD power supply, UPS power inverter power supply, computer power, energy-saving lamps and other fields.